



# Stackable Series LifePO4 Battery

TKPS-A5&A10&A15&A20&A25&A30



**Smart BMS**  
Supporting remote monitoring and real-time observation



Using brand new grade A prismatic cells  
long lifespan in 15-20years,



>8000  
Cycle Life@25°C



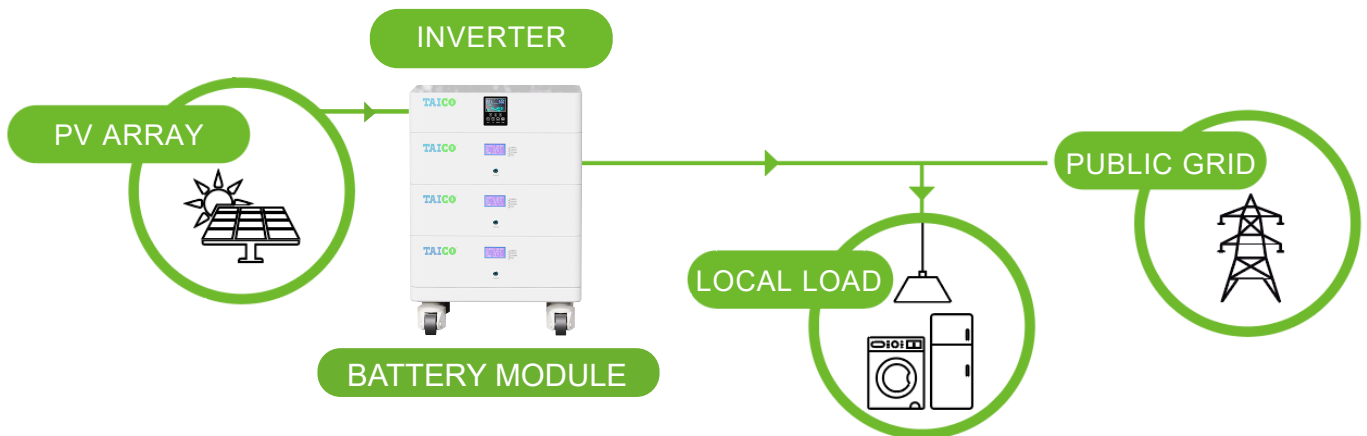
Customize voltage from 100V-600V  
Any voltage demands;



Furniture cabinet design  
More intelligent in style



High discharge rate  
while maintain high energy capacity



Application Schematic

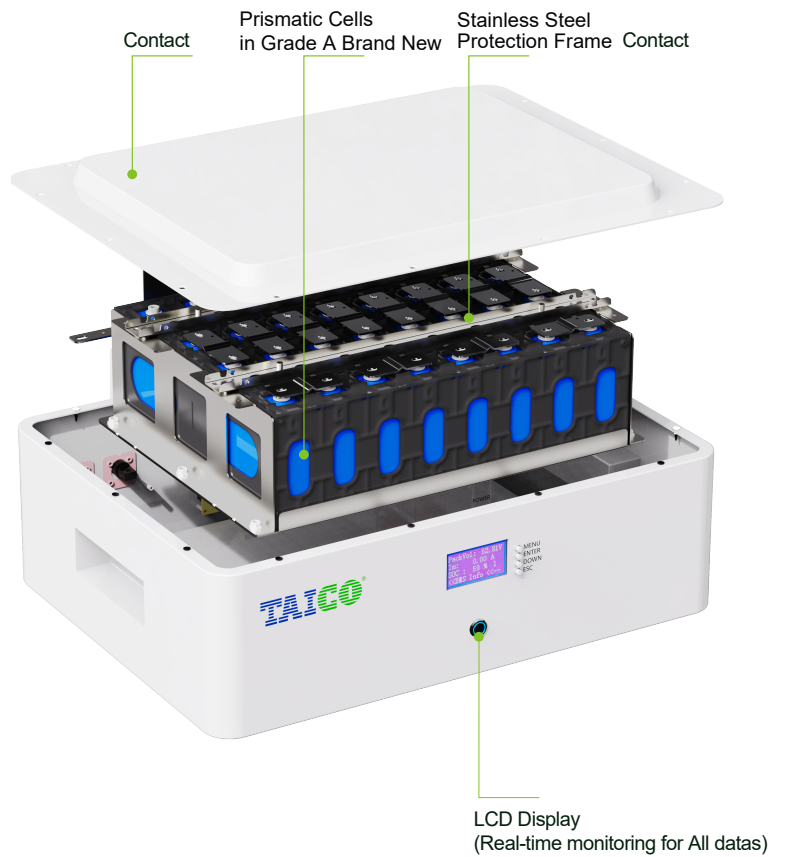
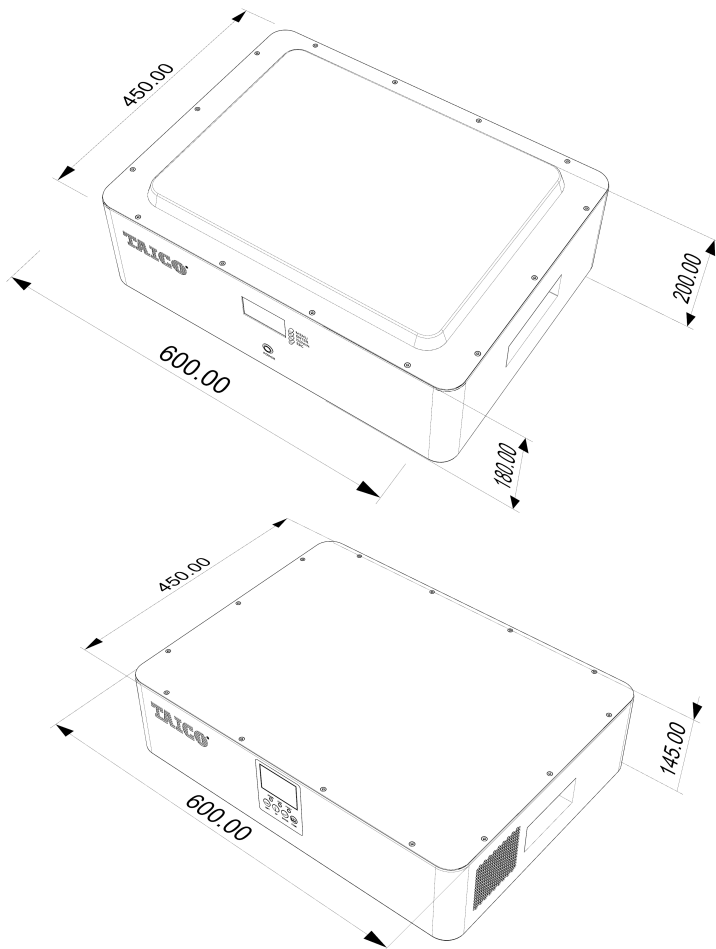


[www.taicopower.com](http://www.taicopower.com)



[Info@taicopower.com](mailto:Info@taicopower.com)

## 2D Engineering Size and Details Show



## Compatible Inverter Brands and Intergrated Cells Brands


# Function Parameter



ESS BATTERY						
Model	TKPS-A5	TKPS-A10	TKPS-A15	TKPS-A20	TKPS-A25	TKPS-A30
Rated voltage	51.2V					
Working voltage range	42-58.4V					
Charge voltage	58.4V					
Rated capacity	100AH	200AH	300AH	400AH	500AH	600AH
Energy	5.12KWH	10.24KWH	15.36KWH	20.48KWH	25.6KWH	30.72KWH
Rated charge current	50A					
Peak charge current	100A					
Rated discharge current	100A					
Peak discharge current	150A					
Charge temperature	0-55°C					
Discharge temperature	-10-55°C					
Optimum temperature	15-25°C					
Cooling method	Natural cooling					
Relative humidity	5%-95%					
Altitude	≤2000M					
Cycle Life	≥4000次@80%DOD, 0.5C/0.5C, 25°C					
Communication interfaces	CAN/RS485/RS232					
Protection	Over-temperature, over-current and over-voltage protection					
Design lifetime	≥10 years					
Dimension (L*W*H)	600*450*497	600*450*677	600*450*857	600*450*1037	600*450*1217	600*450*1397
Weight	75KG	125KG	175KG	225KG	275KG	375KG
Battery type	LiFePO4					
ESS hybrid inverter						
<b>Inverting mode</b>						
Output voltage waveform	Pure sine wave					
Rated output power(VA)	6000					
Rated output power(W)	5000					
Rated output voltage(Vac)	220/230Vac					
Output voltage error	±5%					
Output frequency range(HZ)	50/60HZ					
<b>AC charge</b>						
Charge voltage range	40-60Vdc					
Charge current error	±5Adc					
Maximum charge current	60A					
<b>Solar charge</b>						
Maximum PV opencircuit voltage	500Vdc					
PV operation voltage range	120-500Vdc					
MPPT voltage range	120-500Vdc					
Battery voltage range	40-60Vdc					
Maximum output power	5000W					
Noise emission(dB)	<35					
Operation temperature range	-15°C ~ 55°C					
Storage temperature range	-25°C ~ 55°C					
Picture						